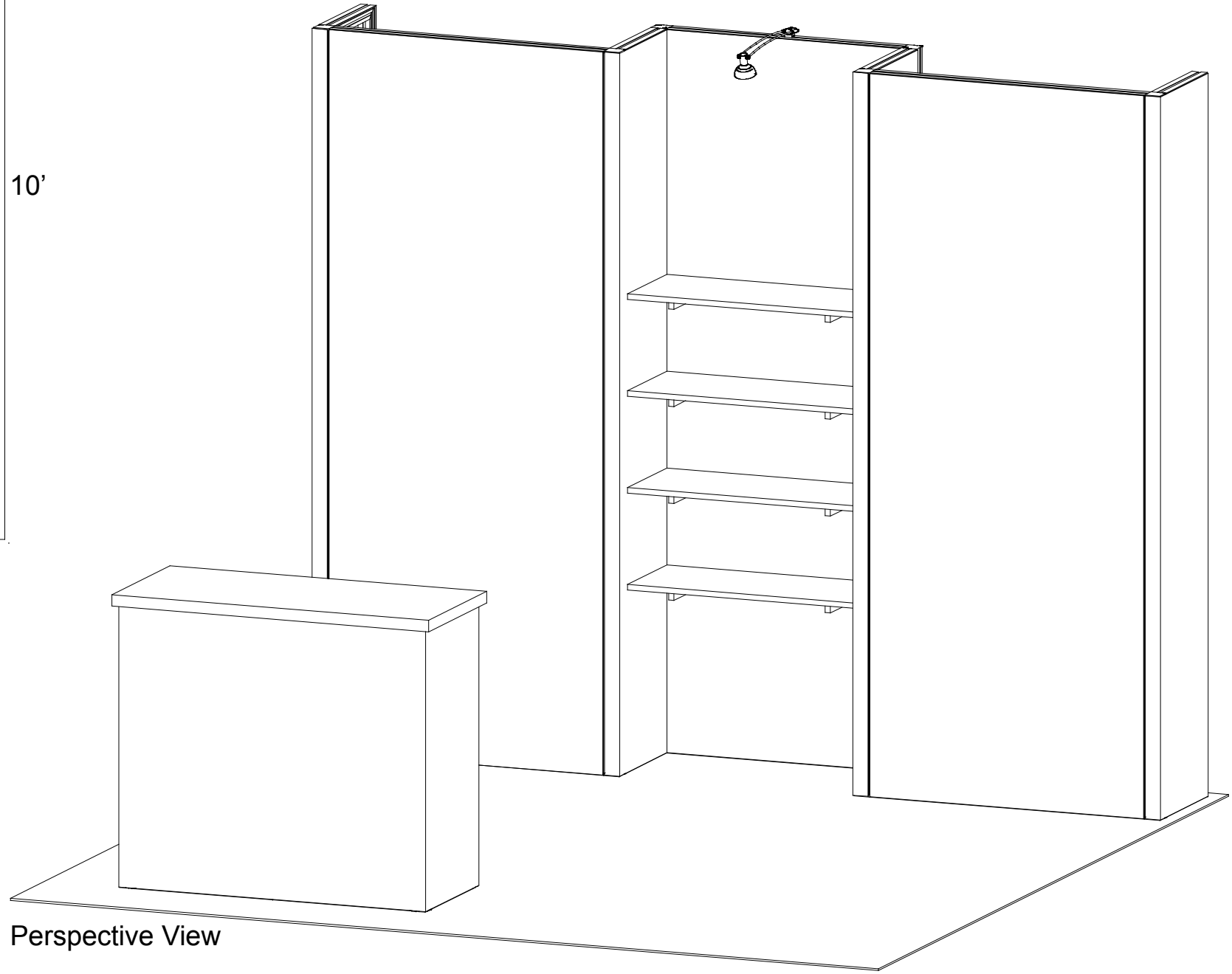
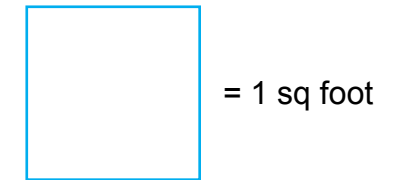
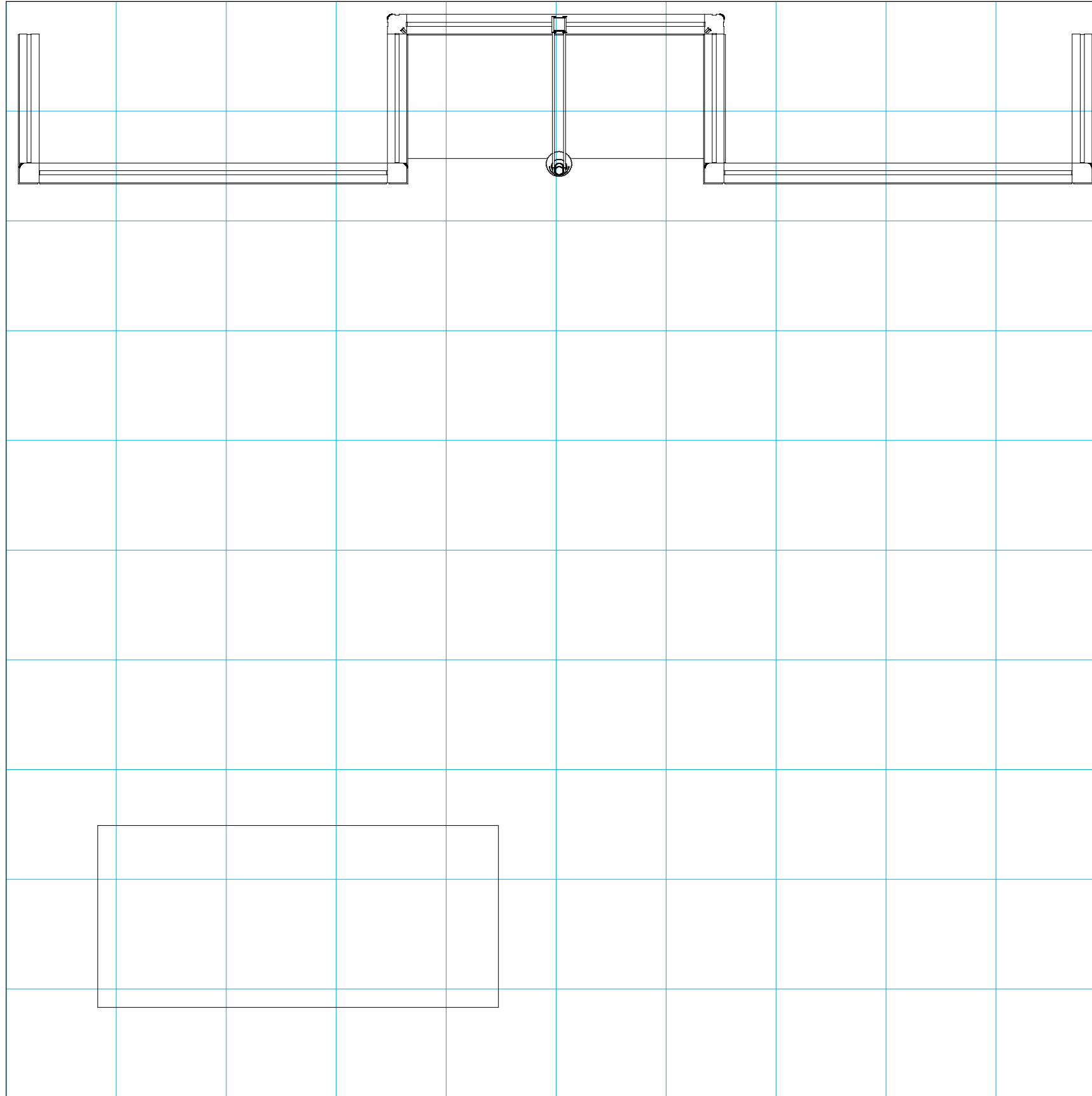


Plan View



Perspective View



General Setup Instructions

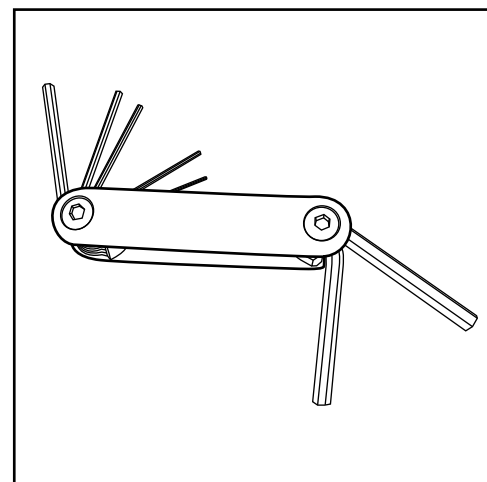
- Read entire setup instruction manual prior to unpacking parts and pieces.
- The setup instructions are created specifically for this configuration.
- Setup instructions are laid out sequentially in steps, including exploded views with detailed explanation for assembly.

Cleaning & Packing

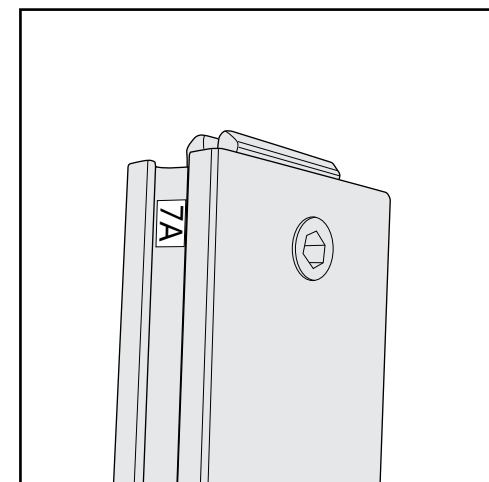
- For Cleaning Metal, Plex, & Laminate Parts: Use a **MILD NON-ABRASIVE** cleanser and soft cloth/paper towel to clean all surfaces.
- Keep exhibit components away from heat and prolonged sun exposure. **Heat and UV exposure will warp and fade components.**
- Retain all provided Packing Materials. All provided packing materials are for ease of repacking & component protection.

Disassembly

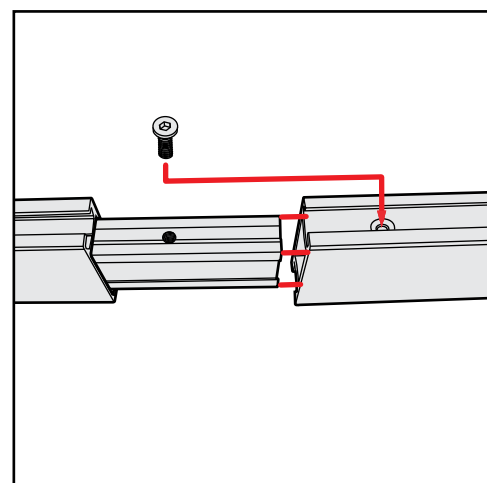
- For loss prevention, tighten all set screws and locks during disassembly.



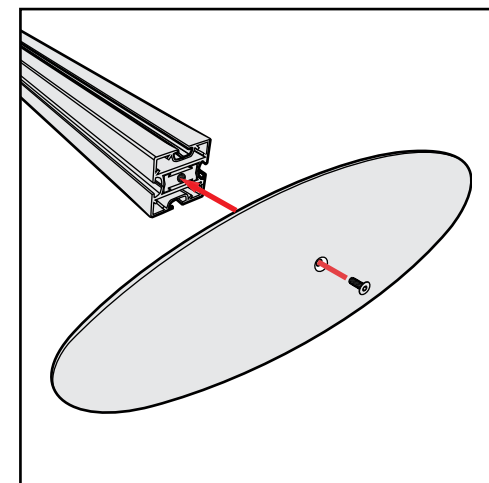
Hex Tool - Essential for Assembly



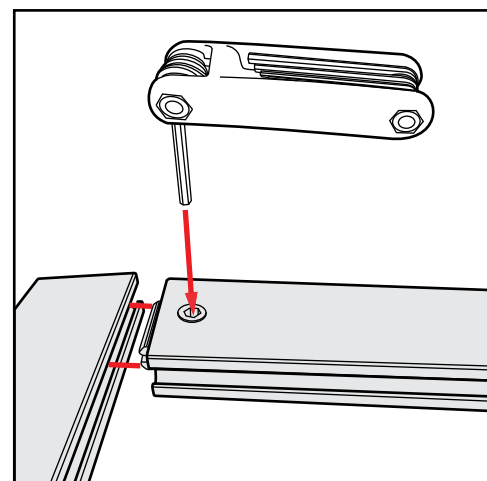
Part Identification - Numbering



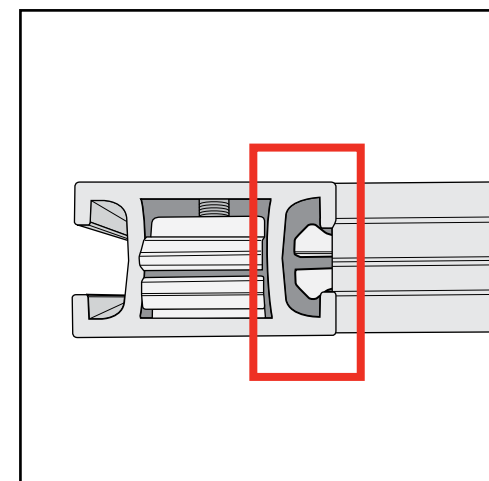
Spline Connection



Base Plate & Extrusion Connection



Extrusion & Lock Connection



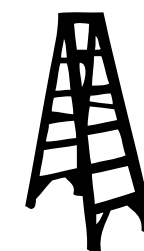
Engaged Lock



WARNING



DO NOT USE POWER TOOLS



LADDERS OR LIFTS
MAY BE REQUIRED



ALL CONNECTIONS MUST
BE TIGHTLY SECURED

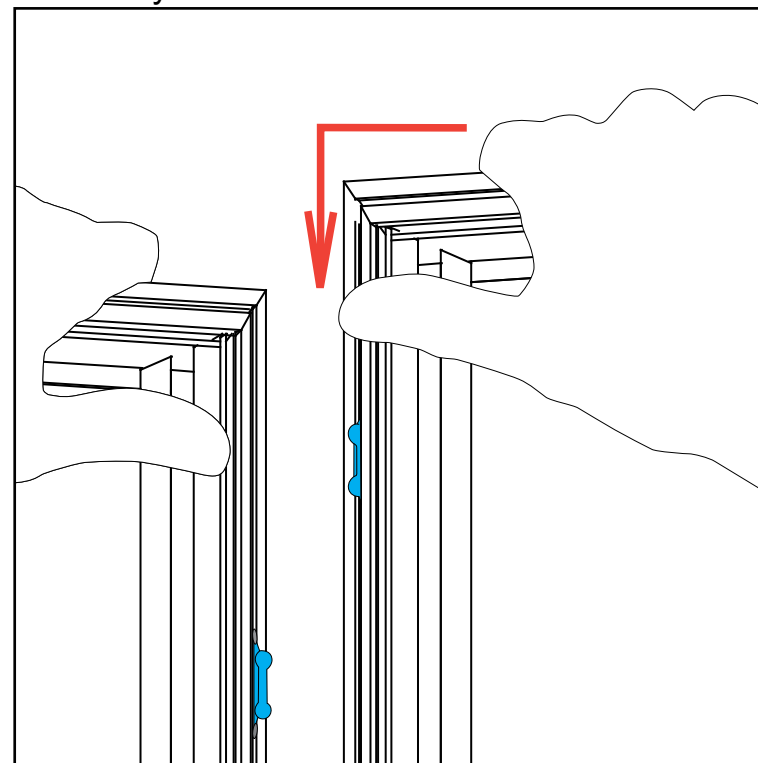
Side-by-Side Assembly

- 1) Frames: Place frames side-by-side with one higher than the other, then slide panel down to lock panels securely together.
- 2) Corner Connectors: Repeat Step 1 for installing corner connectors to frames.

Side-by-Side Disassembly

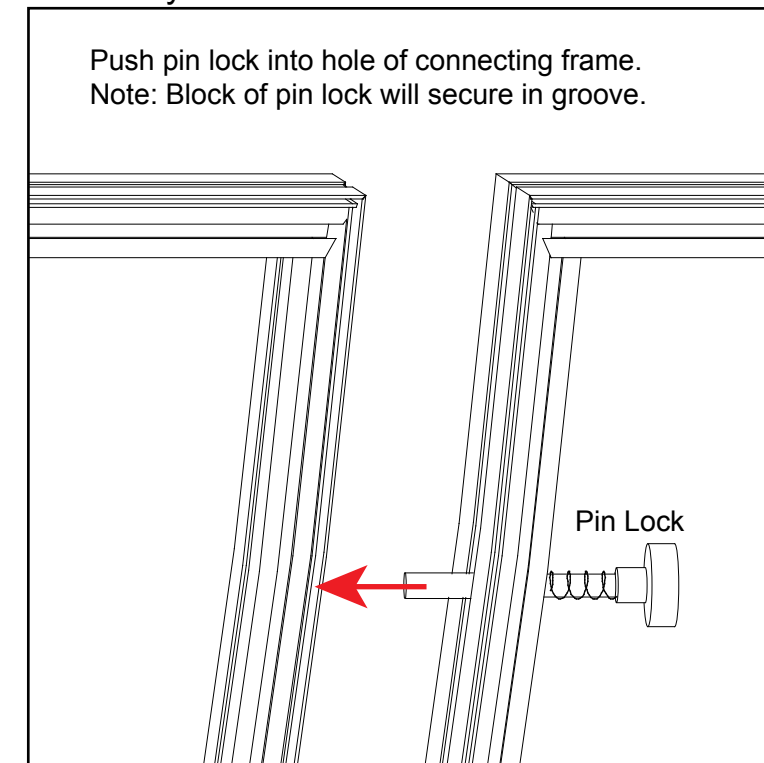
- 1) Pull pin lock outwards to disengage.
- 2) Pull frames upward and apart at the same time to detach.

Assembly

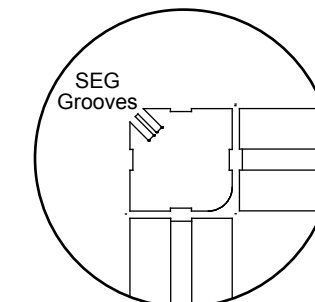


Assembly Cont'd

Push pin lock into hole of connecting frame.
Note: Block of pin lock will secure in groove.



Corner Connector



Top View

Note: Orientation of Corner Connector may change.

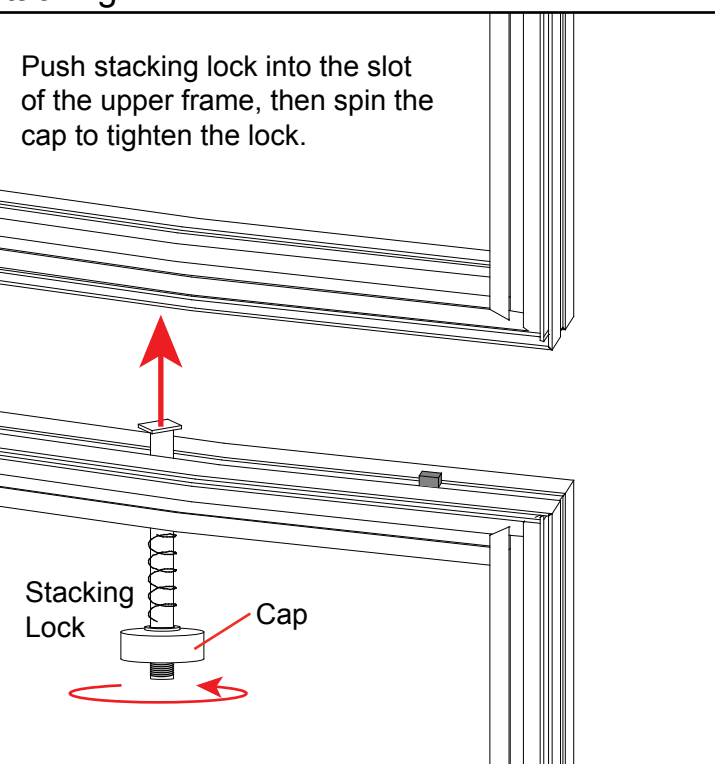
Stacking Assembly

- 1) Place one horizontal frame on top of the other, lining up the center grooves.
- 2) Turn stacking lock clockwise to tighten into place. Repeat for each lock.

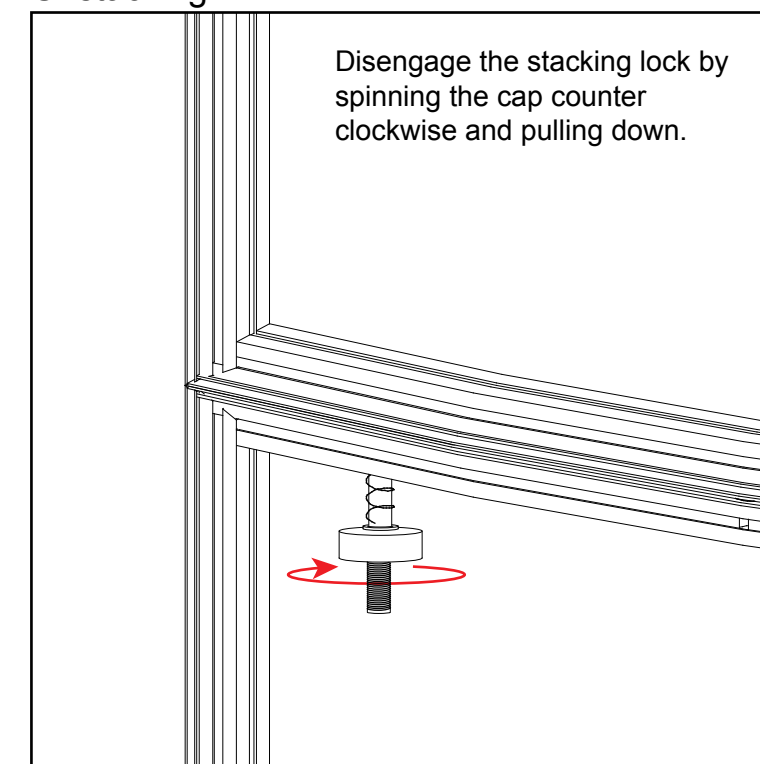
Stacking Disassembly

- 1) Turn the stacking lock counter-clockwise to loosen.
- 2) The whole spring on the stacking lock should be in view to release each frame. The disengaged spring should release the stacking lock. If not, keep turning the stacking lock until it disengages.

Stacking



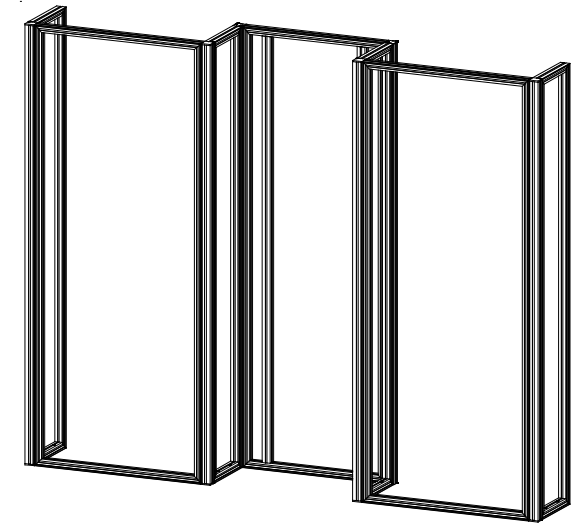
Unstacking



CRATE PACKING

Item	Qty.	Description
1	1	14.125" w x 95" h Gravitee Panel
2	1	94.5" h Gravitee Corner Post w/ Caps Both Ends
3	1	38" w x 95" h Gravitee Panel
4	1	94.5" h Gravitee Corner Post w/ Caps Both Ends
5	1	14.125" w x 95" h Gravitee Panel
6	1	95" h Gravitee Corner Post
7	1	32.5" w x 95" h Gravitee Panel w/ Two 91.904" S44
8	1	95" h Gravitee Corner Post
9	1	14.125" w x 95" h Gravitee Panel
10	1	94.5" h Gravitee Corner Post w/ Caps Both Ends
11	1	38" w x 95" h Gravitee Panel
12	1	94.5" h Gravitee Corner Post w/ Caps Both Ends
13	1	14.125" w x 95" h Gravitee Panel

Steps:
1) Starting with panel [1], connect panels and posts together in numerical order.
See Gravitee Panel Assembly sheet for assembly instruction and GK-1014 Corner Post Orientation sheet.



Completed Assembly

* Keep all vertical extrusions attached inside panels.

*** Light Connection**

Light to Light Attachment

Connect lights together as shown.

Power Break

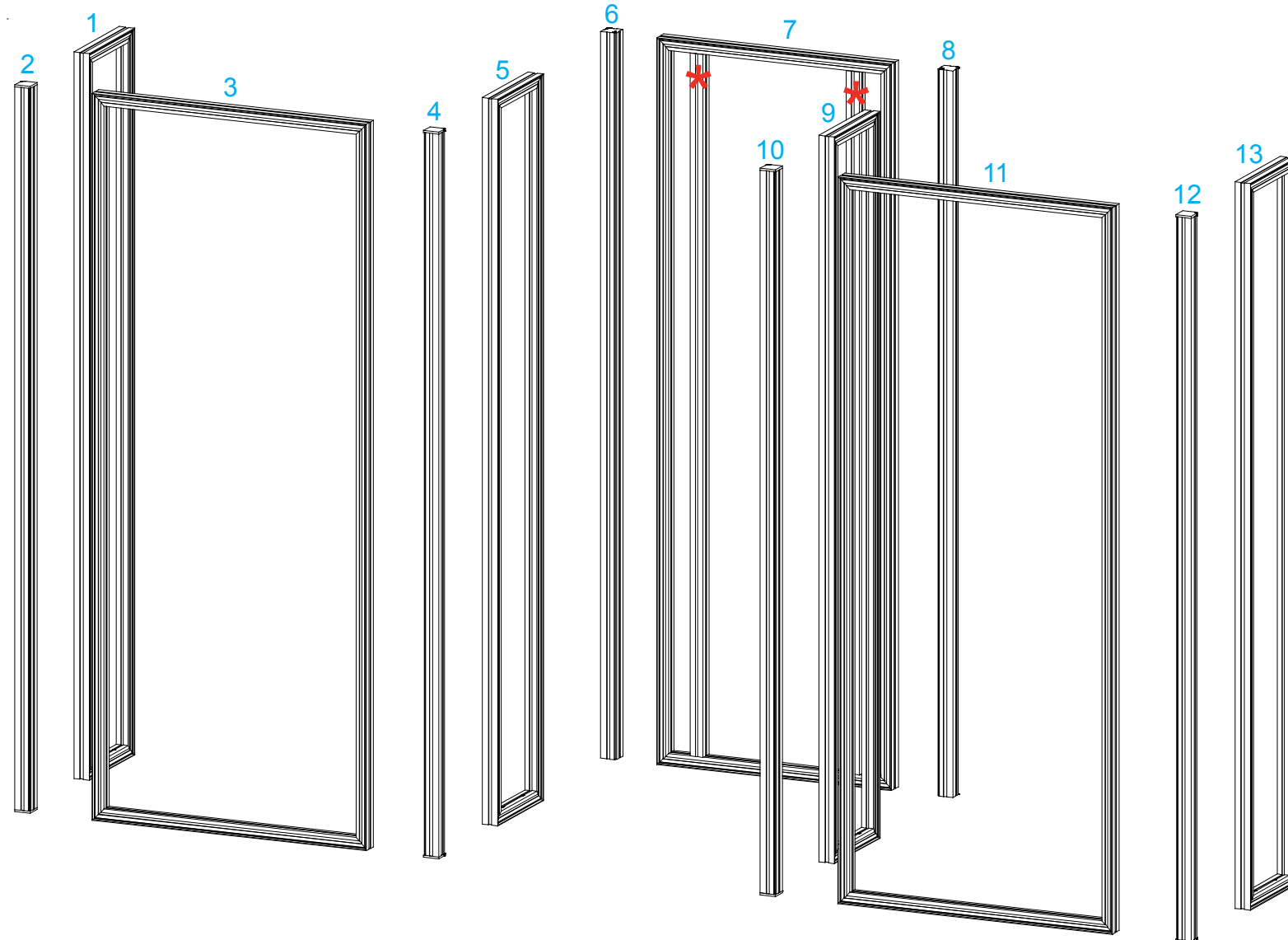
Light to Transformer Attachment

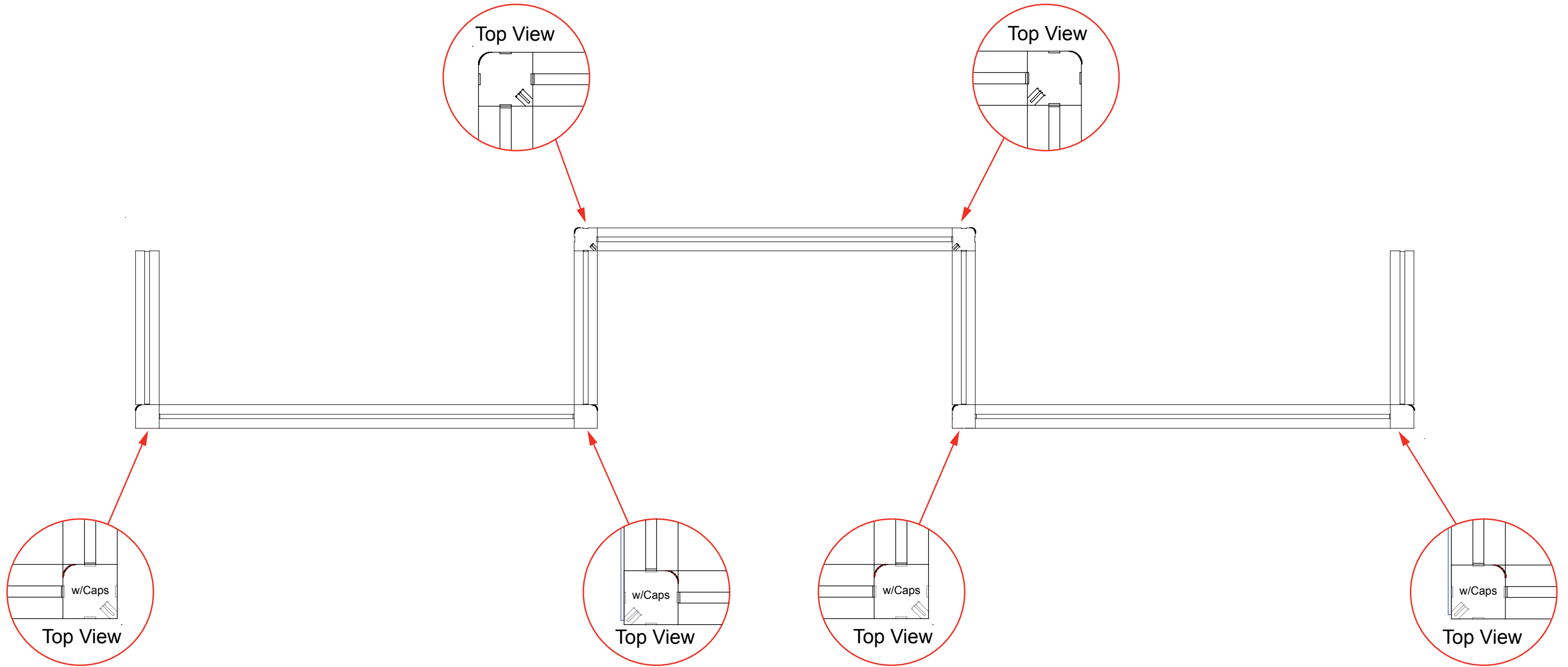
Light Connector
Cord
to transformer

Transformers

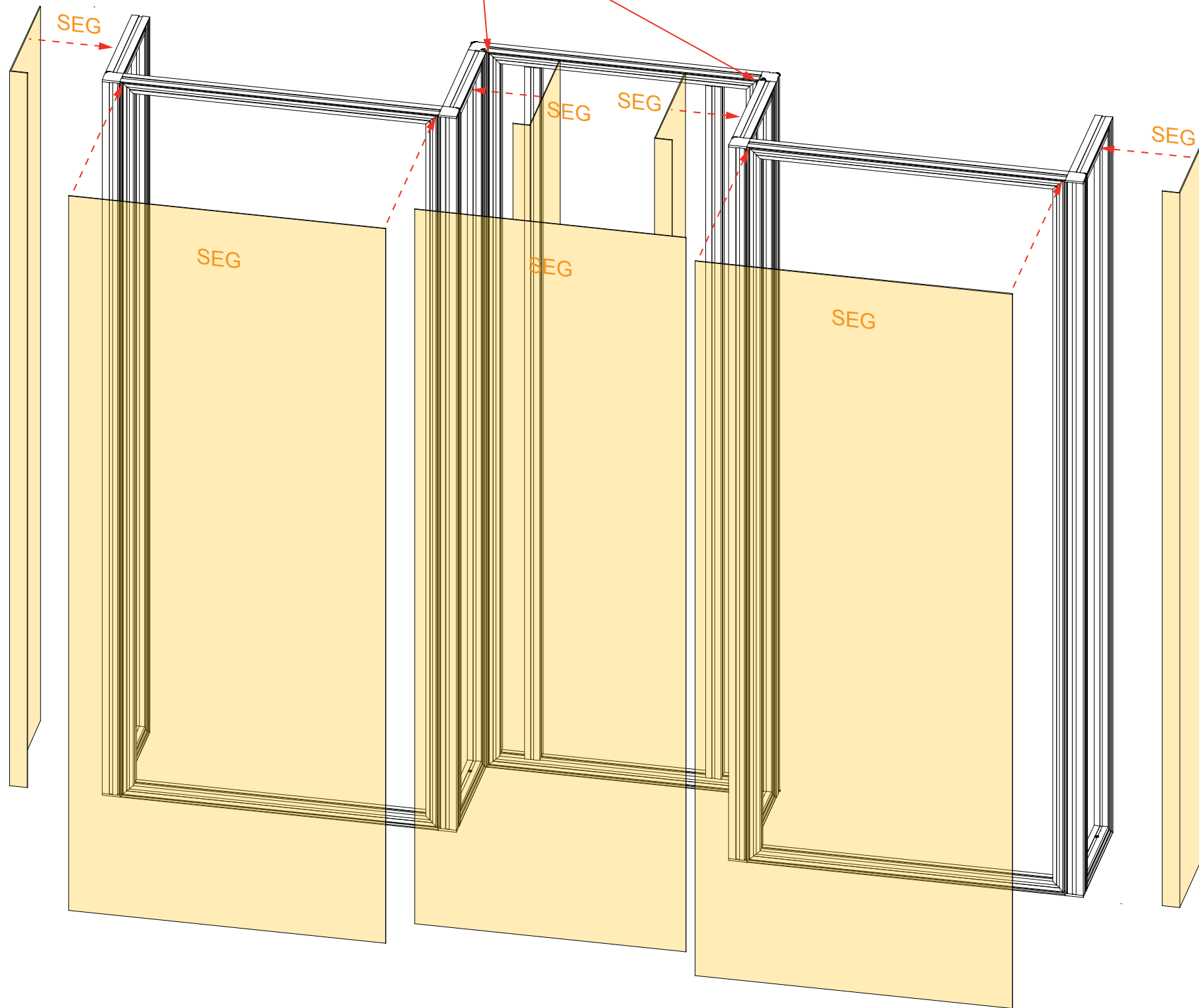
Transformer
144W / 6 Amp / 24V

Maximum 8 light strips per transformer.

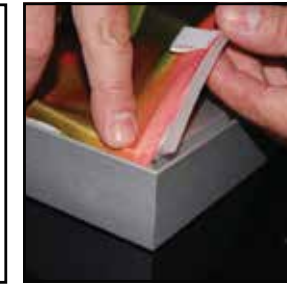
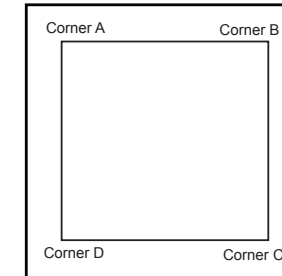




Limited space in corners requires extra attentive installation.



SEG Graphic Attachment



It is important to first insert graphic into each alternate corner, then to the sides of the frame. If this is not done, graphic will not fit into the frame correctly.

Step 1
Insert corner A. Turn edge of graphic so silicon welt is perpendicular to face of graphic. Insert narrow side of welt with fabric to outside into the channel. Repeat for other side of this corner.

Step 2
Repeat Step 1 for opposite corner C, then insert corner B, followed by corner D, to complete the installation of the corners.



Step 3
Once all corners are inserted, press one silicon edge into channel from corners and work toward the center. Make sure welt is fully inserted into channel. Continue until all sides are done. Smooth out edges of graphic.

Graphic Removal



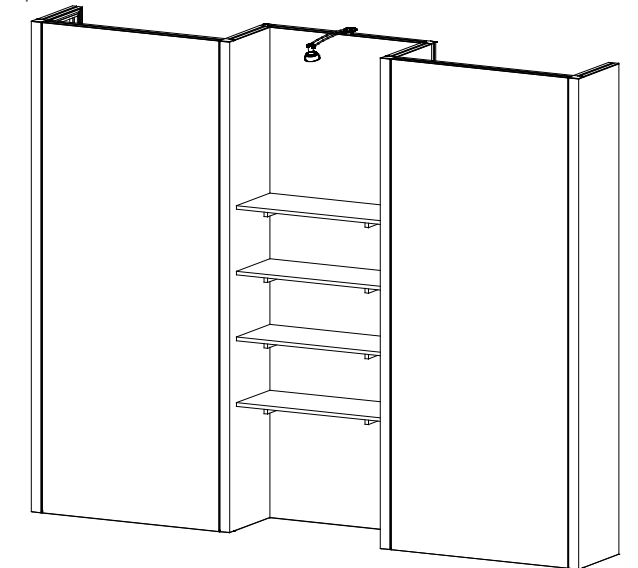
To remove the graphic from the frame, locate the fabric pull tab. Gently pull up on the tab to remove the fabric.

Steps:

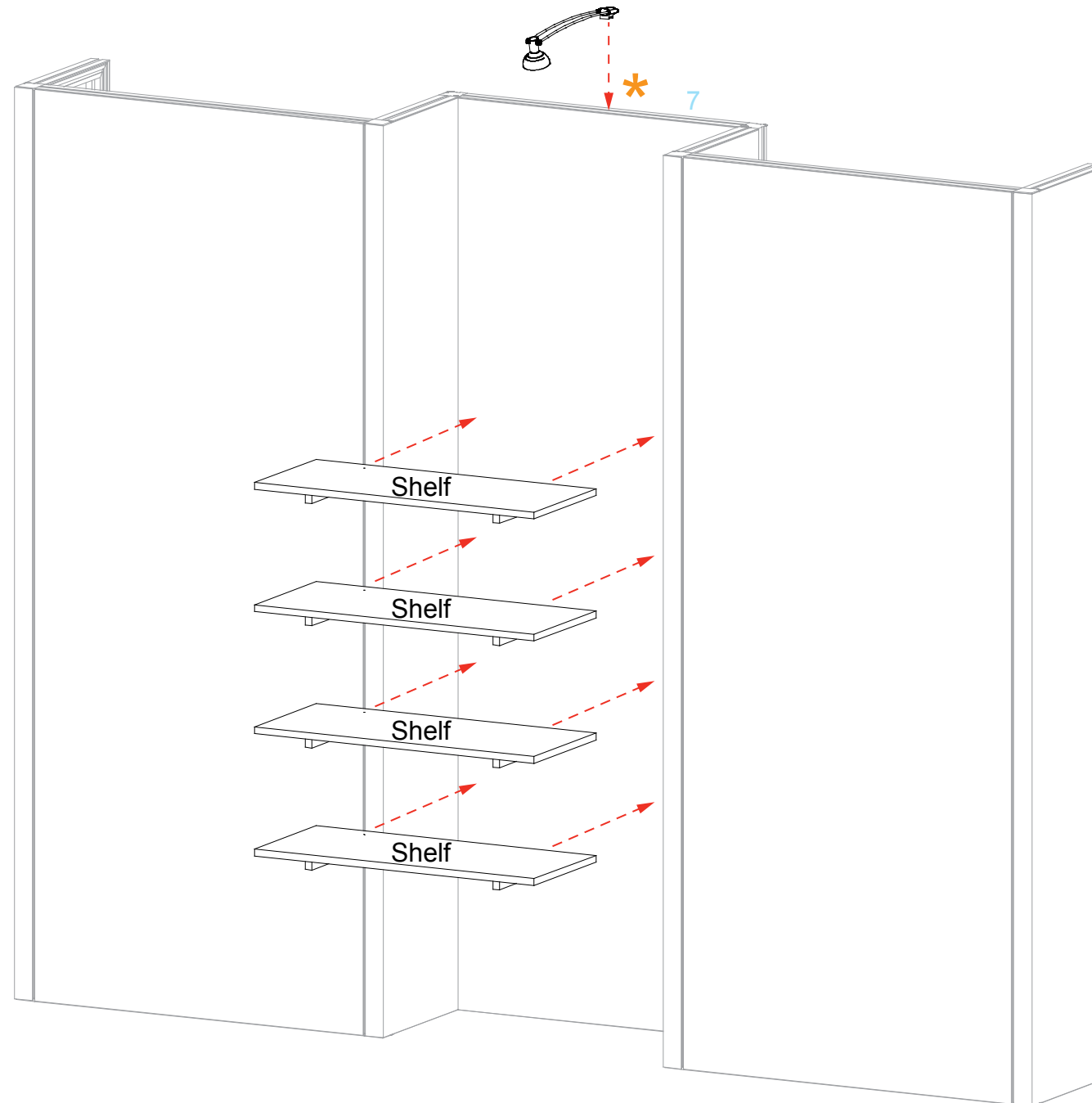
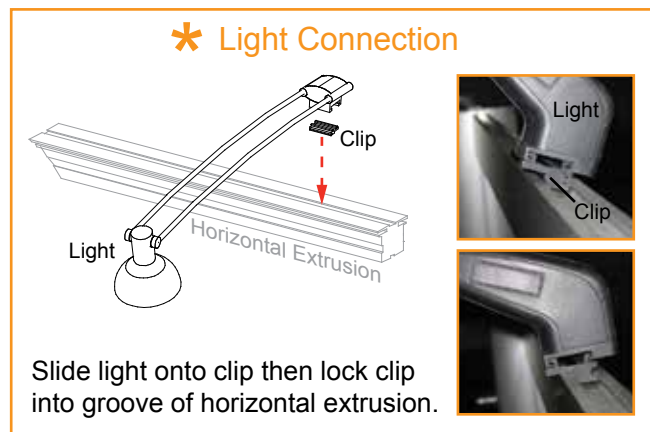
- 1) Install SEG graphics to assembled panels as shown.

Steps:

- 1) Attach shelves, to panel [7], thru holes in graphic.
- 3) Connect lights to top of display where desired.
See **Light Connection** detail.



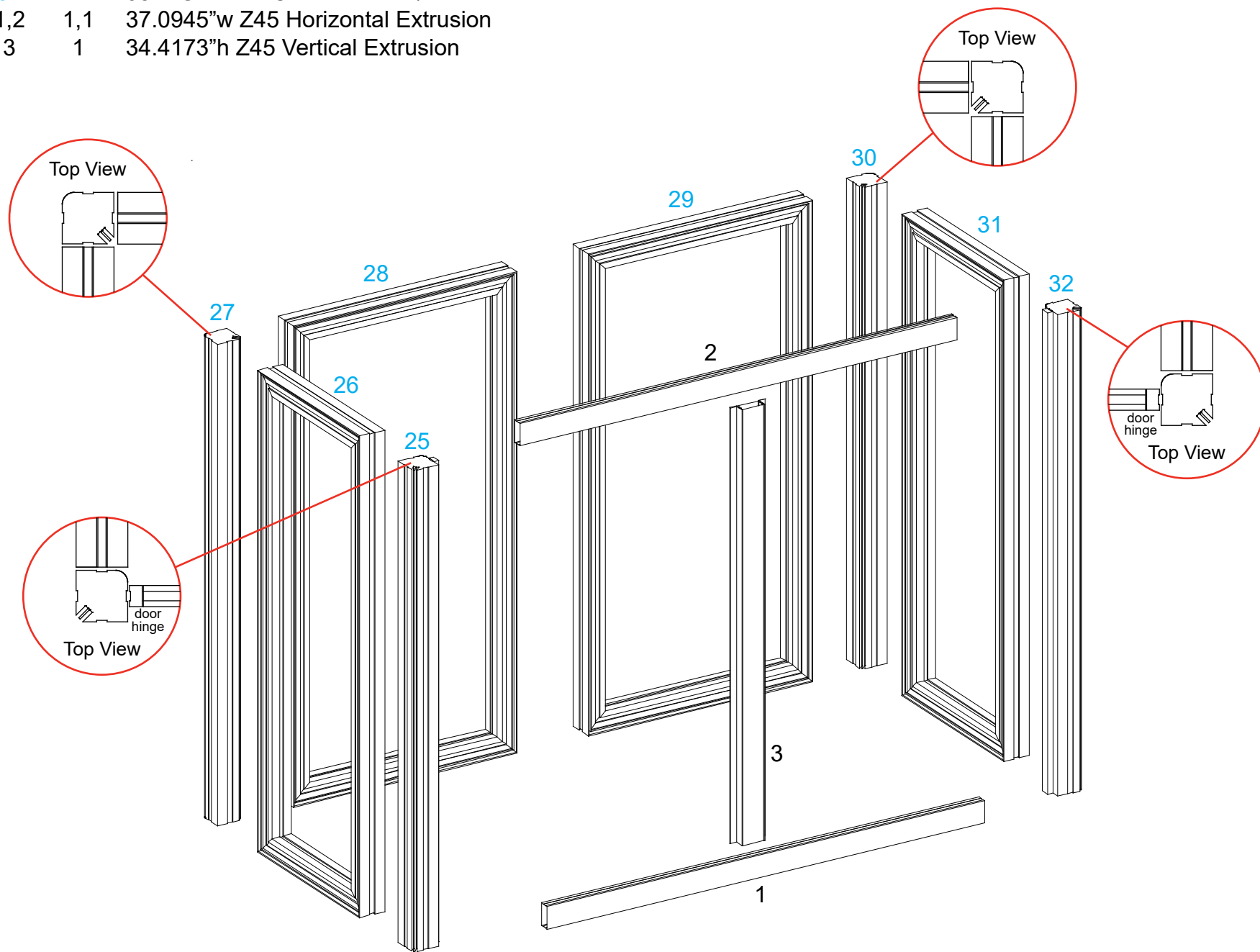
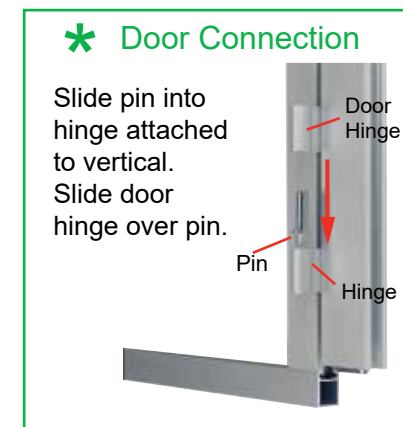
Completed Assembly



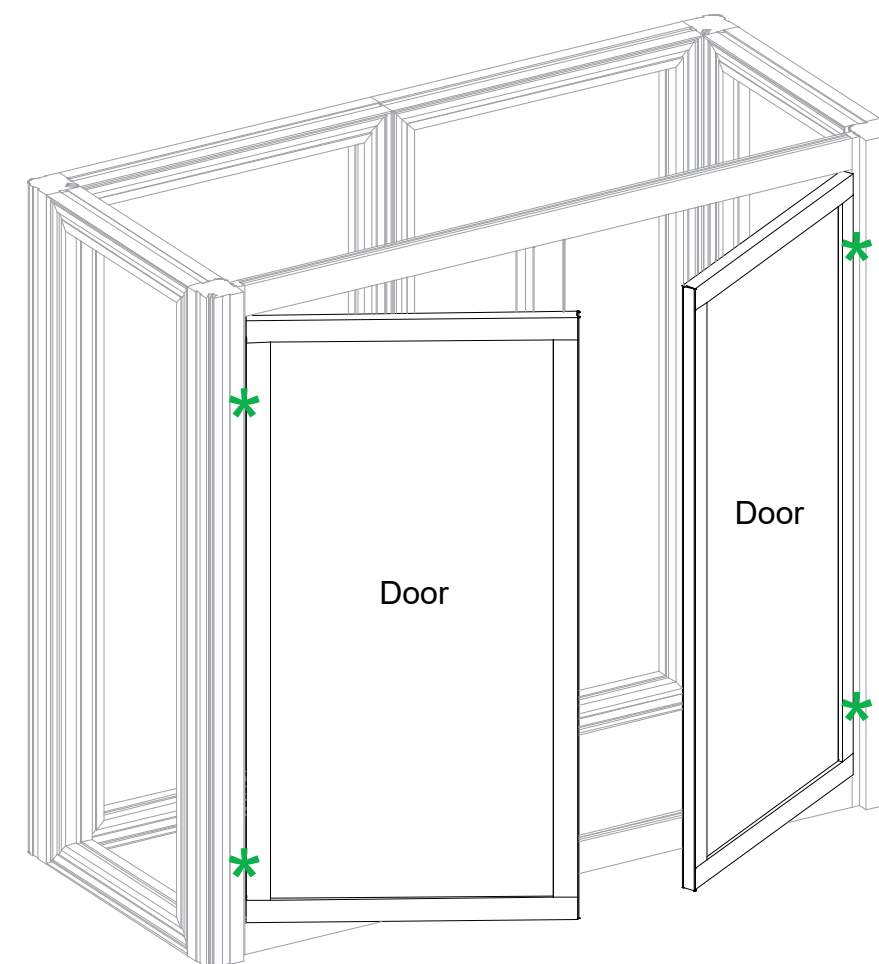
Item	Qty.	Description
25	1	38"h Gravitee Corner Post w/ Door Attachment
26	1	14.125"w x 38"h Gravitee Panel Frame
27	1	38"h Gravitee Corner Post
28	1	19"w x 38"h Gravitee Panel Frame
29	1	19"w x 38"h Gravitee Panel Frame
30	1	38"h Gravitee Corner Post
31	1	14.125"w x 38"h Gravitee Panel Frame
32	1	38"h Gravitee Corner Post w/ Door Attachment
1,2	1,1	37.0945"w Z45 Horizontal Extrusion
3	1	34.4173"h Z45 Vertical Extrusion

Steps:

- 1) Assemble Gravitee panels and posts in numerical order, as shown, making sure Velcro is facing inward. See Gravitee Panel Assembly sheet, for instruction.
- 2) Attach horizontal extrusions [1] and [2] between posts [25] and [32].
- 3) Attach vertical [3] between horizontals [1] and [2].
- 4) Connect doors to posts [25] and [32]. See **Door Connection** detail.



Back View

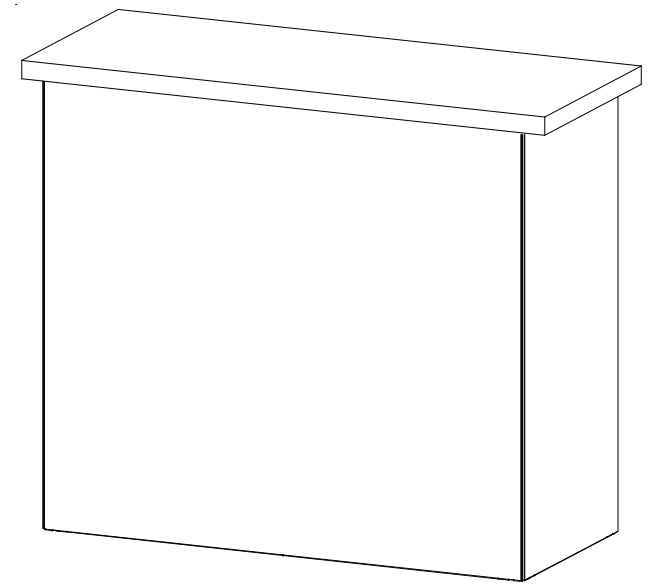


Back View

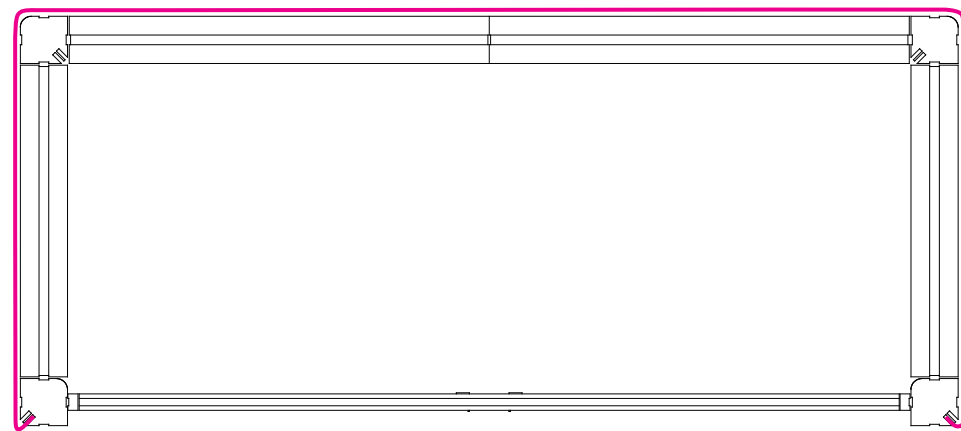
Steps:

- 1) Wrap **SEG Graphic** around front and sides of assembled counter.
See SEG Graphic Installation sheet for instruction.
- 2) Connect shelf supports to Velcro, then place shelf on top of supports.
- 3) Lock counter top to panels [26] and [31]. See **Counter Top Lock** detail.

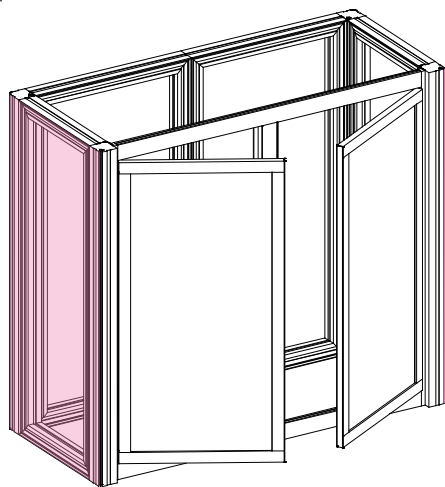
Keep connectors [25] [32] extrusions [1] [2] [3] and doors assembled, when packing.



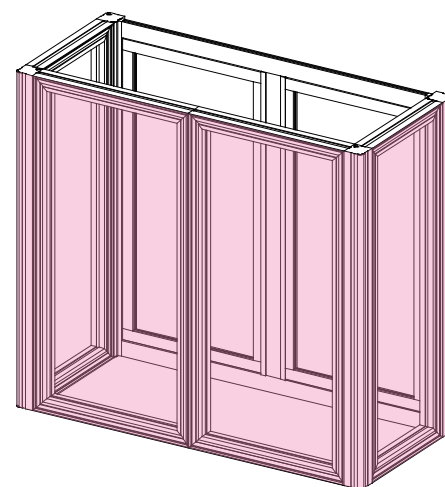
Completed Assembly



Top View



Back View



Front View

